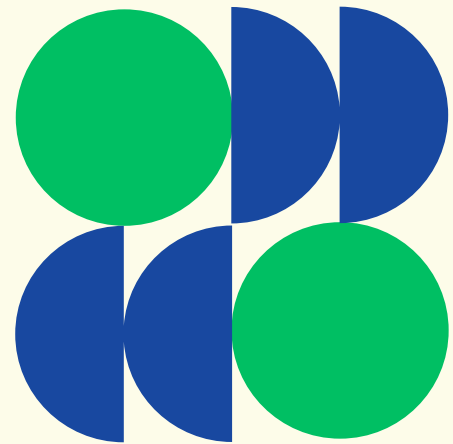


TYPE-2 FEMALE EV CONNECTOR  
ASSEMBLY

# Product Catalog



JT MOBILITY PRIVATE LIMITED

 +91-8693099309 / 9699789777

 support@jt-mobility.com

 www.jt-mobility.com



# Type-2 Female EV Plug Assembly

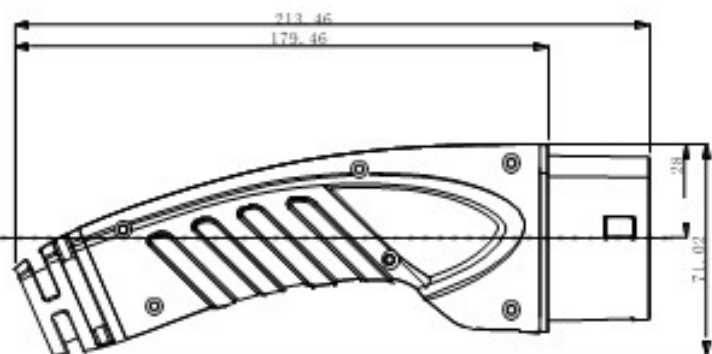
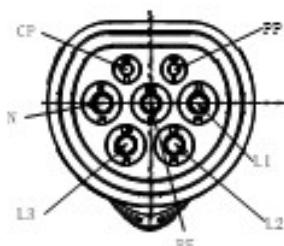
## IEC 62196-2 Female Connector

JT Mobility Type 2 AC Female electric car plug is designed to create a custom EV charger by selecting the desired cable length and connectors. The connector is complied to IEC 62196-2 standard. EV Connector gun comes as a component including the correct resistance required for assembly. This is not a complete charging cable; you use the components offered here to mount a complete charging cable type 2 for self-assembly. This type 2 female plug with 16A/32A single / Three phase cable is suitable for self-built Mode 2 & Mode 3 charging cables.



## Key Features

- Plug in/pull out >10000 times
- Comply to IEC 62196-1: 2014; IEC 62196-2:2017; CE Standards.
- Body is made with High Grade ABS and Thermoplastic Material
- Rated with IP55 (working condition).
- Anti-flaming, pressure-resistant, impact resistance material
- Pin Material: Copper Alloy & Silver Plating
- Better Conductivity and Higher Energy Transmission
- Nice appearance, hand-held ergonomic design, easy plug
- Available in Single phase and 3 Phase configuration
- Assembly includes Pins, Cable Gland, Cable Clamp, Body, and Resistor



# Specifications



	JTEVG3PT2F-2	JTEVG1PT2F-2	JTEVG3PT2F-1	JTEVG1PT2F-1
Standard	IEC 62196-2	IEC 62196-2	IEC 62196-2	IEC 62196-2
Contact Pin	Copper Alloy, Silver or Nickel Plating	Copper Alloy, Silver or Nickel Plating	Copper Alloy, Silver or Nickel Plating	Copper Alloy, Silver or Nickel Plating
Contact Resistance	0.5m ohm Max	0.5m ohm Max	0.5m ohm Max	0.5m ohm Max
Impact Insertion Force	>300N	>300N	>300N	>300N
Insulation Resistance	>1000Mohm (DC500V)	>1000Mohm (DC500V)	>1000Mohm (DC500V)	>1000Mohm (DC500V)
No of Phase	Three	Single	Three	Single
Operating Temperature	-30C to +65C	-30C to +65C	-30C to +65C	-30C to +65C
Operation Voltage	480V	100-250V	480V	100-250V
Plug Type	Female	Female	Female	Female
Plug Used At	EV Side	EV Side	EV Side	EV Side
Protection Degree	IP55 (Working Condition)	IP55 (Working Condition)	IP55 (Working Condition)	IP55 (Working Condition)
Rated Current	32A	32A	16A	16A
Sealing gasket	Rubber or silicon rubber	Rubber or silicon rubber	Rubber or silicon rubber	Rubber or silicon rubber
Shell material	Thermoplastic	Thermoplastic	Thermoplastic	Thermoplastic
Temperature Resistance	<50K	<50K	IEC 62196-2	<50K

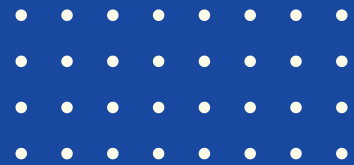
# Company Profile

JT Mobility Pvt. Ltd. is a Mumbai, India based manufacturer, associated with Jayani Technologies LLP established in 2011. We are focusing on the design, production, after sale service and marketing of electric vehicle charging components and onboard charging system, we are specialized in various Electric vehicle portable chargers, sockets, charging cables, plug & connectors to national and international standards.

JT Mobility is an ISO 9001:2015 certified company, Our Strong R&D team and unmatched integration team enable us to be fast, flexible, and efficient when providing different solutions to our customers. JT Mobility is highly recognized and trusted by customers for its innovative technology, excellent manufacturing capability and perfect service system. Our vision is to transform EV Industry with the leading technology and to provide cost effective products & solution to EV user, vehicle manufacturer, EVSE, Automobile Dealers and EV Infra provider at competitive prices.



## Why Us!



### Our Team

JT Mobility is founded and managed by well experienced senior executives from the Industry, with rich and extensive experience in the leading organizations. Keeping in mind the new & changing technology and demands of the industry, we have employed highly skilled team of professionals.

### Our Commitment

JT Mobility is committed to becoming a world-class provider of cable solutions for new energy vehicles, and a leader in the EV charging cable products & solution.

### Our Vision

To create versatile cutting-edge solutions for all automotive industries

### Our Mission

To provide ingenious, virtuous, and energy-efficient solutions.

### Our Values

Respect, professionalism, and determination are the values that are the foundation of our culture

# Support

---

## Help-Desk (24x6)

Our help desk center is the most extensive information resource in the world. With just a phone call or an e-mail, you can be in touch with a team of trained information specialists and technical experts that are ready to answer your questions and provide you with the information you need. They have an array of resources at their fingertips including product brochures, samples, product specification sheets, case histories, application notes, white papers, technical article, training materials and much more. E-mail at [support@jt-mobility.com](mailto:support@jt-mobility.com) for any kind of support.

## Warranty

1 Year Standard warranty on all the products. We provide free lifetime technical support for all our products. Warranties provided are specific to each product. Warranty period, starting from the date of original purchase. If no proof of purchase (receipt or invoice of purchase) can be presented upon request.

## Private Labeling

We provide private labeling product with your company branding. so you can sell products under own brand name. Changes can include things like packaging or product bundles, colors and branding, and some limited adjustments to components or functionality. Minimum order quantity applicable for private labeling.

## Global Shipping

We offer global shipping worldwide to nearly every country across the globe, covering North and South America, Europe, Asia, Middle East, Africa, Oceania, and more. We employ the services of major, trusted international carriers to ensure your package arrives to your destination safely and securely.

## Repair & Return

We have well defined Repair & Return procedure so we can easily create, organize, process and track your returned orders. Refer to terms and condition of warranty terms and condition for repair services.

## Dealer / Distributor

Our Distributor Program is designed to help system integrator, value added re-sellers (VARs), contractors, and installers create demonstrable business value while driving new business and increasing profitability. We provide the tools, marketing and business environment to build a profitable and scalable Practice.

# Quality and Certification

JT Mobility Pvt. Ltd. is an ISO 9001:2015 certified company, committed to providing its customers with cost effective reliable products and solutions that keeps them step forward from their competitors and puts them one step closer to future. We provide consistent quality and environmentally friendly products. It is essential for all levels of the organization to strive for excellence and continual improvement in quality, maintaining our competitive edge.



## Contact Us

### JT MOBILITY PVT. LTD.

23, 3rd Floor, Gami Industrial Park, TTC MIDC Pawne, Navi-Mumbai, Dist. Thane, Maharashtra, India 400705

#### Head Office

B-409, Lodha I-Think, Opp. Xperia Mall, Kalyan-Shil Road, Dombivali (E), Dist. Thane, Maharashtra, India 421203

#### R & D

A-106, Shraddha Silver Springs, BEML Lauout Main Road, Brookfield, Bengaluru, India 560066

#### Delhi

Oriental Market, IP Extension, Patparganj, New-Delhi, India 110092

#### Jaipur

G-1, Sunshine Krishna, Near Triveni Nagar Flyover, Gopalpura By-Pass, Jaipur, Rajasthan 302018

#### Indore

Mahalaxmi Nagar, Near Bombay Hospital, AB Road, Indore, Madhya Pradesh, India 452010

Phone: +91-8693099309 ; E-Mail : [support@jt-mobility.com](mailto:support@jt-mobility.com)

[WWW.JT-MOBILITY.COM](http://WWW.JT-MOBILITY.COM)

### Follow Us

